

This maintenance is a simple greasing of the ball screw with the help of a manual grease gun. It requires to apply the right volume of grease in order to guarantee the well repartition of the lubricant.

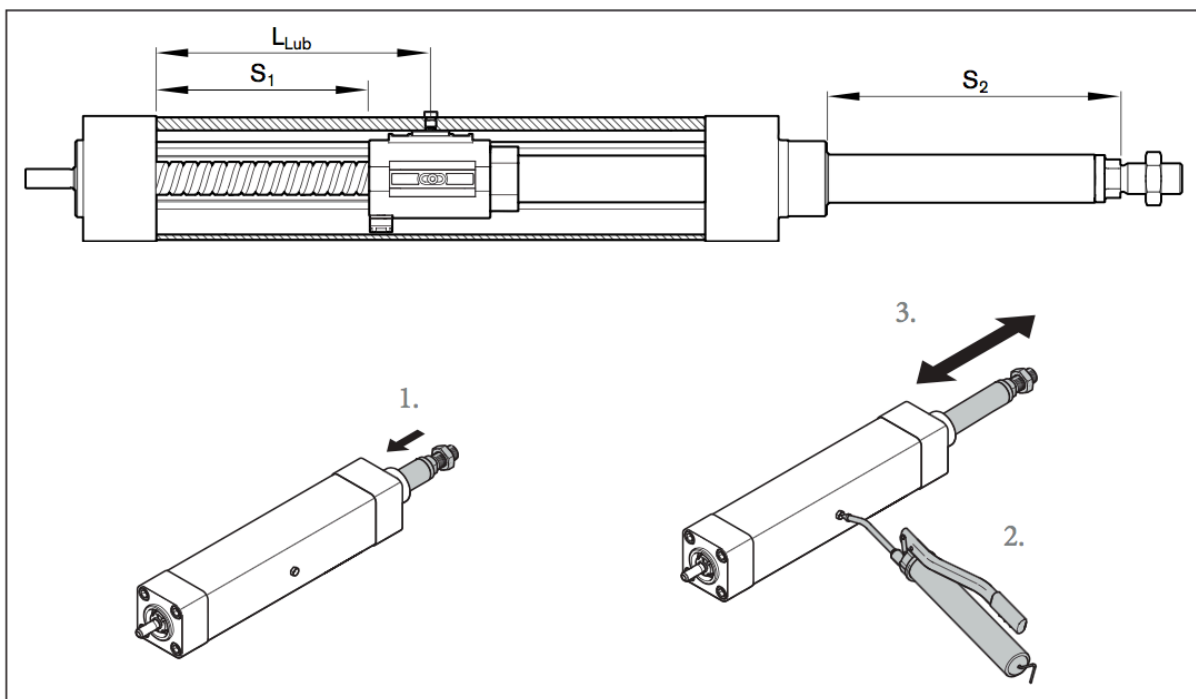
Period of greasing : Every two years.

Volume of greasing : 1cl (about 1/40th of a standard grease cartridge)

Do not use any grease composed of solid particles (Graphite, MoS₂, ...)

Grease with lithium soap is recommended (Example Dynalub 510 or Dynalub)

The procedure to lubricate the Prostart ram C400 :



1/ Remove the ram from the starting gate and put it on a table

2/ Pull out the rod at 224,4mm (8"3/4) according to the distance S_2 (from nose to thread)

3/ Distribute the 1cl of grease in once

4 / Pull in & out the rod on the total run of the ram three times

5 / Re-attach the ram to the starting gate